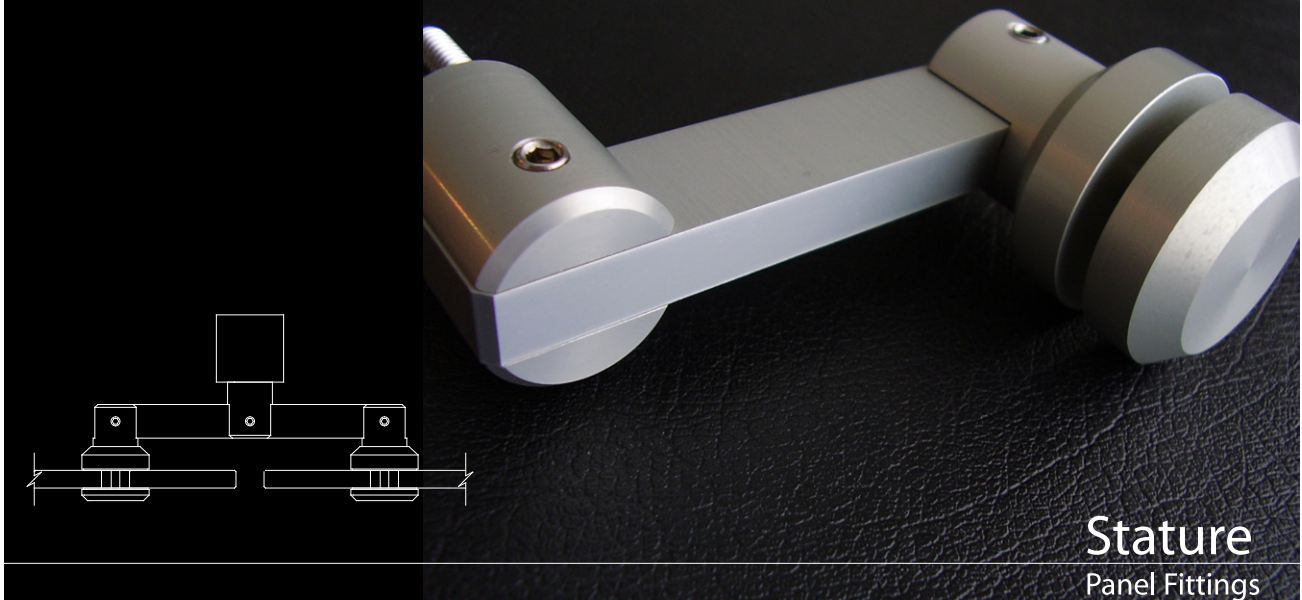
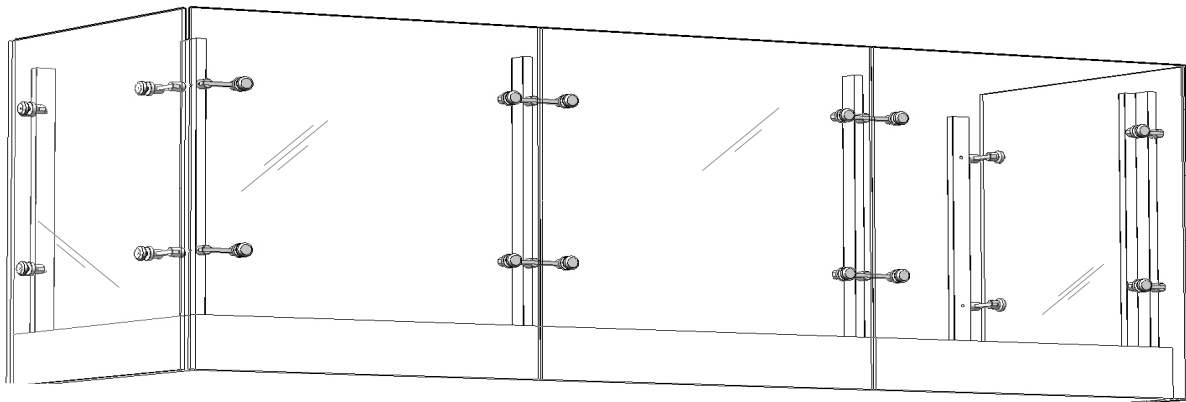




www.architecturalfittings.com
ARCHITECTURAL FITTINGS



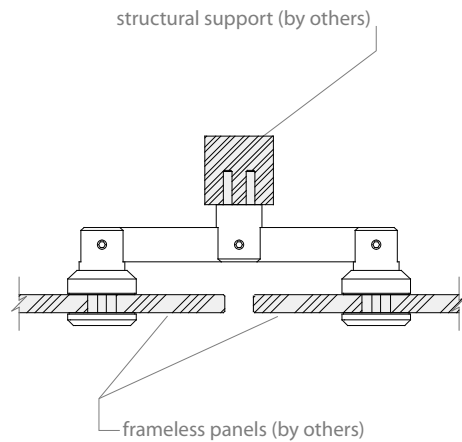
Fittings for mounting offset, point fixed, frame-less panels to a structural support.



STATURE hardware fittings are designed as a fully mechanical installation solution for attaching frameless glass or acrylic panels to a structural support, eliminating the need for any on-site welded components.

Stature fittings are available for a variety of mounting conditions including double panel attachment as well as end conditions.

Please refer to individual specification pages for detailed information on each hardware fitting.





STATURE - SYSTEM FITTINGS

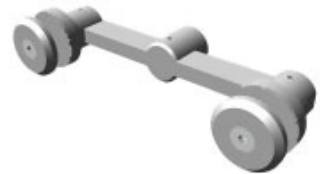
STATURE hardware fittings are available as standard configurations shown below.

More detailed information on each hardware fitting configuration is available on individual specification pages on our website:

www.architecturalfittings.com



Two sided button fitting
310



Two sided washer fitting
340



One sided button fitting
with nut
311



One sided washer fitting
with washer
341

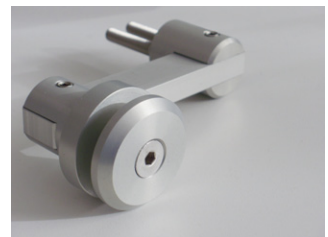
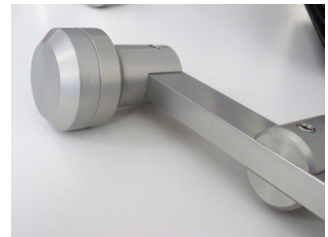


ARCHITECTURAL FITTINGS

Architectural Fittings produces high quality exposed architectural hardware fittings for commercial and residential applications.

Our products are made of high grade machined aluminum and stainless steel and are finished to high specification standards.

Architectural Fittings product lines are based on a systems approach with unique components that can be configured in a variety of combinations. This design approach allows for our products to provide a cohesive aesthetic to any building condition requiring an exposed connecting system.



Architectural Fittings

Suite 101-1325
Davie St.
Vancouver
British Columbia
Canada
V6E 1N5

Tel: 604 710 2576
Email: info@architecturalfittings.com

www.architecturalfittings.com